



Model

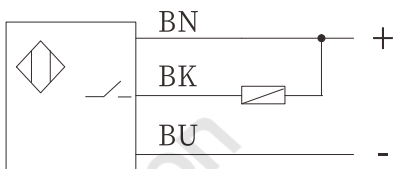
SS17-05D□□

Product Features

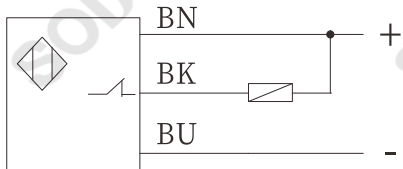
- Simple structure, easy installation
- IEC IP67
- reliable operation

Connection

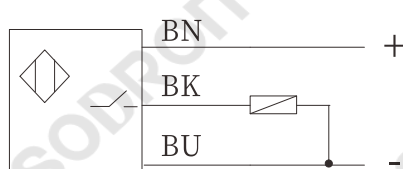
NPN-NO



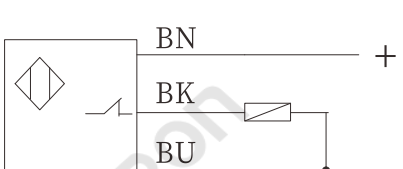
NPN-NC



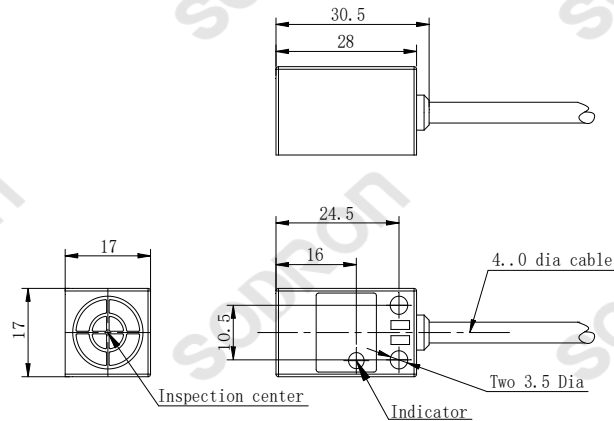
PNP-NO



PNP-NC



Dimension



Technical parameters

Model	SS17-05DNA	SS17-05DPA	SS17-05DNB	SS17-05DPB
Output mode	NPN	PNP	NPN	PNP
Output state	NO	NO	NC	NC
Power supply	10~30V DC			
Current consumption	<10mA			
Sensing distance	5mm±10%			
Set distance	0~4mm			
Standard target	17X17X1mm (Iron sheet)			
Response frequency	600Hz			
Repeat accuracy	< 3% (Sensing distance)			
Temperature effect	-25~70°C, within ±10% of sensing distance at 23°C			
Hysteresis error	1%~15% (Sensing distance)			
Load Current	<200mA			
Residual Voltage	≤2.5V (Load current:200mA , 2m wire)			
Indicator light	Red LED (Output ON)			
Circuit protection	Reverse polarity connection protection, short-circuit protection			
Ambient temperature	Work&Storage: -40°C ~ +85°C			
Ambient humidity	Work&Storage: 35~95% (No dew condensation or icing allowed)			
Withstand Voltage	1000 VAC, 50/60 Hz, 1 min.			
Insulation resistance	> 20MΩ (DC500V megger) between current-carrying parts and case			
Anti-vibration	10~55Hz, double amplitude 1.5mm, X, Y, Z axes, 2h			
Anti-impact	3 shocks of 500 m/s ² (approx. 50 G) in X, Y and Z axes			
Protection degree	IEC IP67			
Connection	Cable 2m, Φ4.0 (3-core), Grey, 0.2mm ² , PVC			
Material	Housing PBT+ABS			